

CUSTOM SOLUTION

AIROTRONICS
Timers and Controls **ACT**

A division of Pelco Component Technologies

MARKET:

Food Service Equipment

FUNCTION: This solid state speed control utilizes a transformer to convert a 120 VAC input to a 24 VDC output. This pulse width modulated speed control regulates two peristaltic pumps with adjustable dispenser times. This allows for operating in different water pressure locations.

PURPOSE: To precisely regulate the amount of detergent and sanitizer in a dishwasher.

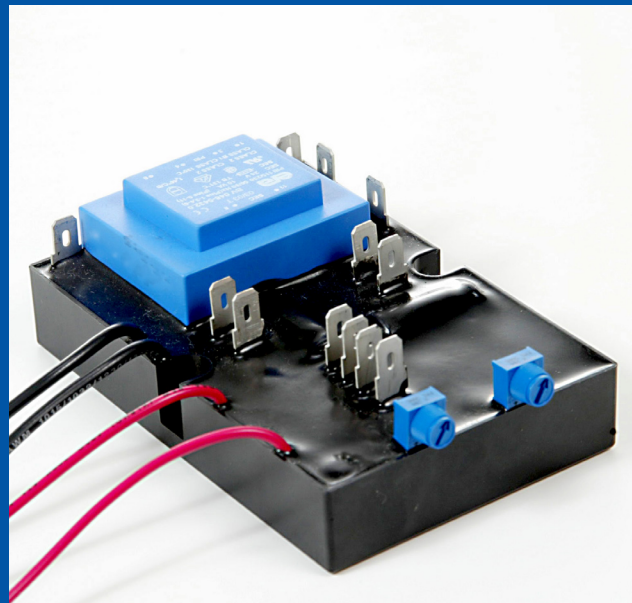
GROWTH MARKETS: Water Purification, Irrigation, Septic Systems, Chemical Processors

CONTACT: 315-655-8476
www.airotronics.com

CATEGORY: Cube Solid State Timer

APPLICATION: Dishwasher Control

SERIES: TH

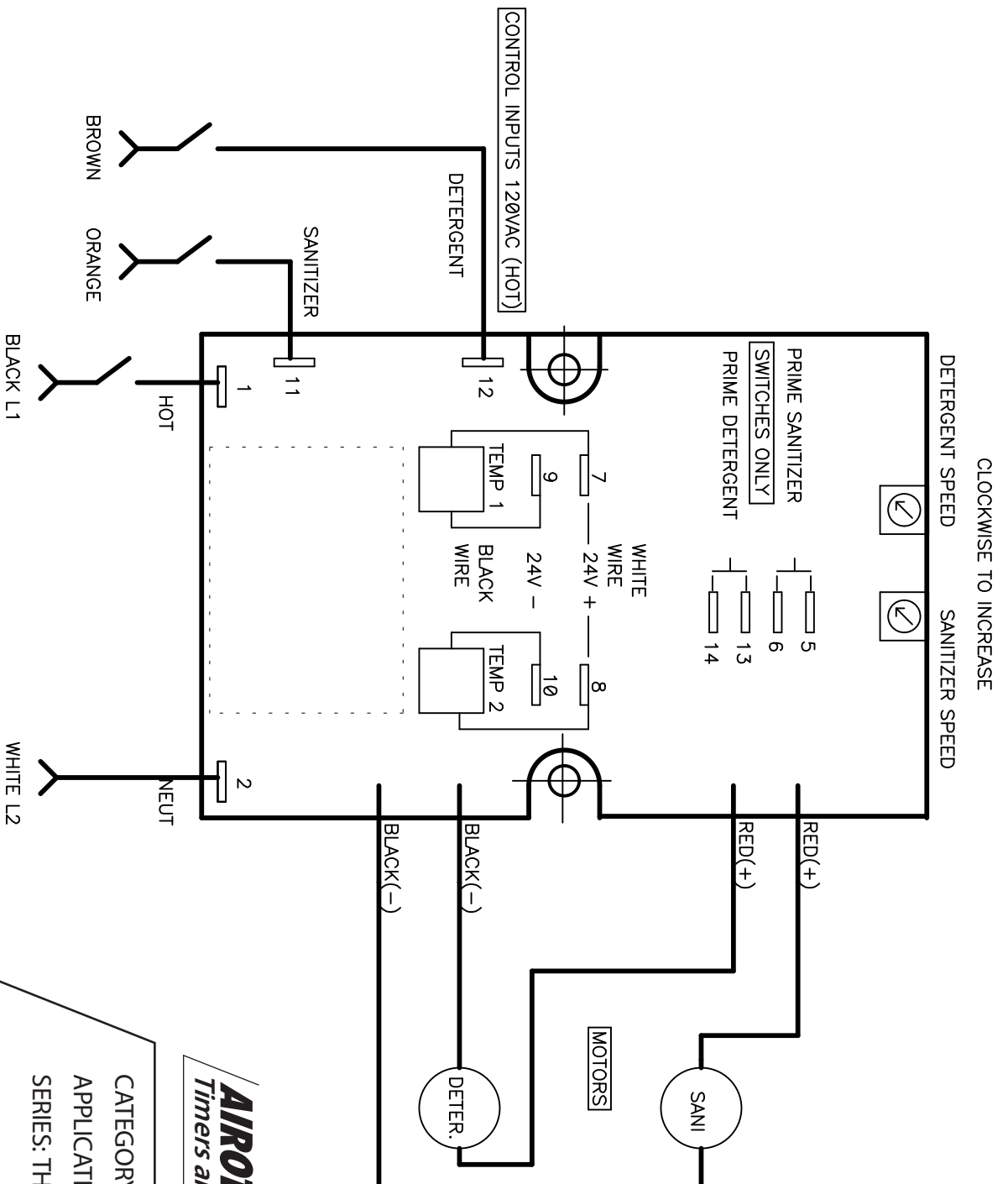


FEATURES:

- 100% load isolation
- No heat sinking required
- Available in any time delay period required
- No minimum load required
- Totally encapsulated for protection from harsh environments
- 100% operational testing before shipping
- UL / CSA approvals

PELCO
COMPONENT TECHNOLOGIES
Putting Power to Work

2747 Rte 20E Cazenovia, NY 13035
www.pelcoaz.com



CLOCKWISE TO INCREASE

DETERGENT SPEED

SANITIZER SPEED

PRIME SANITIZER SWITCHES ONLY

PRIME DETERGENT

MOTORS

SANI

DETER.

AIROTRONICS
Timers and Controls **ACT**

CATEGORY: Cube Solid State Timer
APPLICATION: Dishwasher Control
SERIES: TH

315-655-8476 www.airotronics.com