

Timing Mode: **ANTI-SHORT-CYCLE**

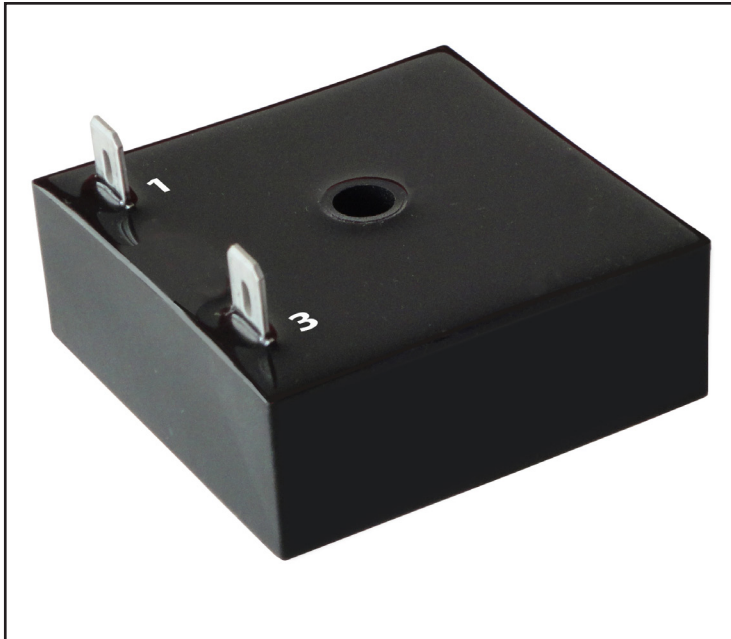
Category: **SOLID STATE TIMER**

Series: **THAC**

CUBE SOLID STATE, 1 AMP



PELCO COMPONENT TECHNOLOGIES • 855 227 3526



THAC Timers

The THAC are Anti-Short Cycle timers with solid state output for compressor protection.

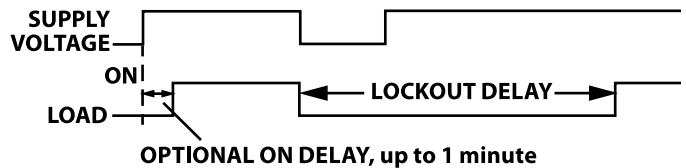
An optional "Delay On Make" function is offered for sequencing or prevention of contactor chatter.

Simple 2 terminal connection and encapsulated 2" x 2" package.


Anti-short-cycle timers prevent premature cycling of compressors in refrigeration, air conditioning and heat pumps, thereby reducing nuisance tripping of fuse or circuit breaker.

Timing Mode

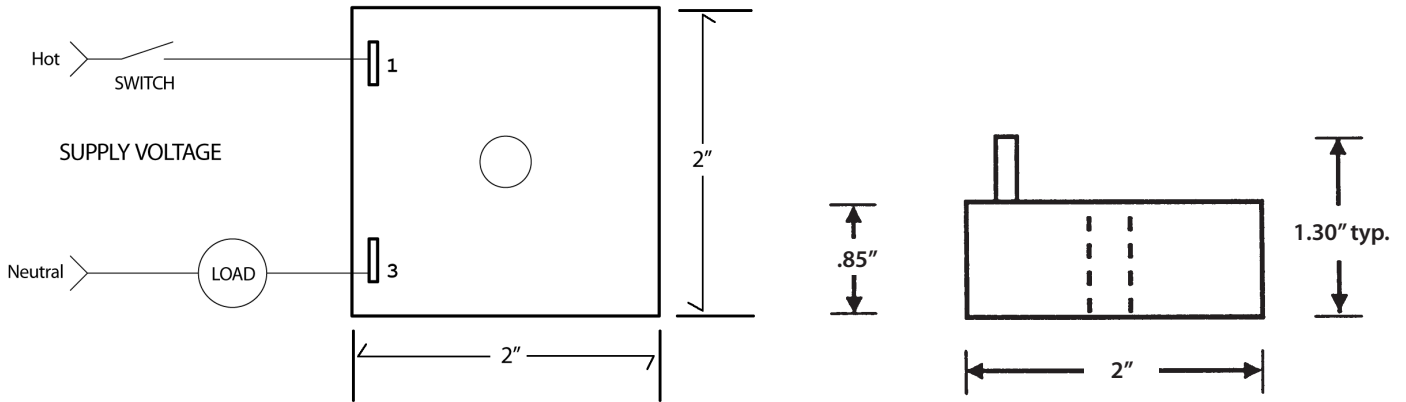
When voltage is applied, the load turns on. When it is interrupted, the load is off for the delay period, even if voltage is reapplied before timeout. This prevents chattering in the load.



FEATURES

- 1 Amp current load
- 10 Amps single AC cycle surge handling
- 3 Operating voltages 24/120/230 VAC
- Factory-fixed or potentiometer adjustable
- Totally encapsulated for protection from harsh environments
- Optional Delay On Make
- Load can be connected on either terminal (neutral or hot)
- Single screw mounting through center hole
- Two industry-standard terminal (0.25") quick connects
- 100% Operational testing before shipping
- 
- RoHS compliant

BASIC WIRING AND DIMENSIONS



SPECIFICATIONS

020718

Input Voltage:

VAC: 24, 120 or 230, 50/60Hz

Time Delay: Up to 5 minutes

Lockout Time: Factory-fixed or variable with knob on timer

Tolerance: +35% -15% of nominal time

Protection:

Transient Protection: MOV

Dielectric Strength: 1800 RMS 60Hz

Temperature Ranges:

Storage: -40°C to +85°C

Operating: -25°C to +65°C

Humidity: 95% relative

Physical Data: Surface mount with single #8 or #10 screw

Connection & Termination: 0.25" Quick connects

OPTIONS SELECTION

Mode of Operation	Series	Input Voltage	Time Ranges	Time Adjustment Method	Options
Anti-Short-Cycle (Lockout)	THAC	1 120 VAC 50/60Hz	VARIABLE TIME PERIODS	A Integral knob	SXXX On delay (up to 1 min.)
		2 230 VAC 50/60Hz	060 - 1 min. 0120 - 2 min. 0180 - 3 min. 0240 - 4 min. 0300 - 5 min. XXX - fixed	C Factory-fixed	XXX Time Period XXS Time in sec.
		3 24 VAC 50/60Hz	FIXED TIME PERIODS		Example: 30S = 30 second fixed time
			Any fixed time up to 5 minutes		

Specifications subject to change without notice.