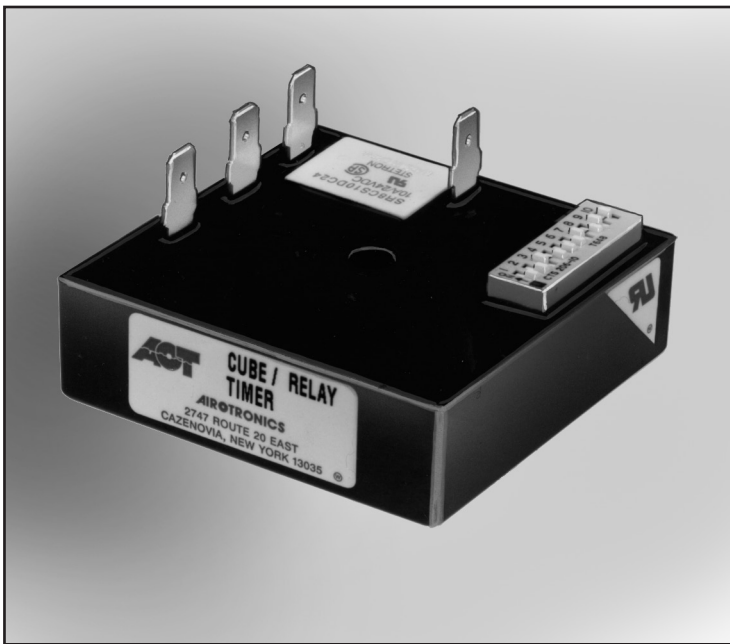


Timing Mode: **DELAY ON MAKE**
Category: **TIMER WITH RELAY**
Series: **TGC-E**



PELCO COMPONENT TECHNOLOGIES • 855 227 3526

CUBE RELAY, DIPSWITCH ADJUSTMENT



TGC-E Timers

TGC-E timers with dipswitch adjustment offer precise timing accuracy in a compact 2.5" x 2.5" encapsulated configuration.

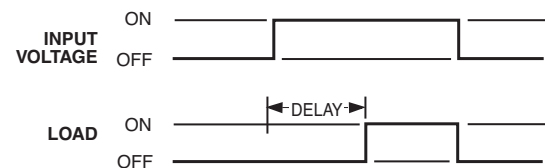
Three time ranges are available: 0.1 to 102.3 seconds, 1 to 1023 seconds and 10 to 10230 seconds.

The encapsulated relay is capable of switching up to 20 amps (70 amps inrush), 1.5 HP.


Advanced circuitry provides this timing module with unsurpassed accuracy and reliability.

Timing Mode

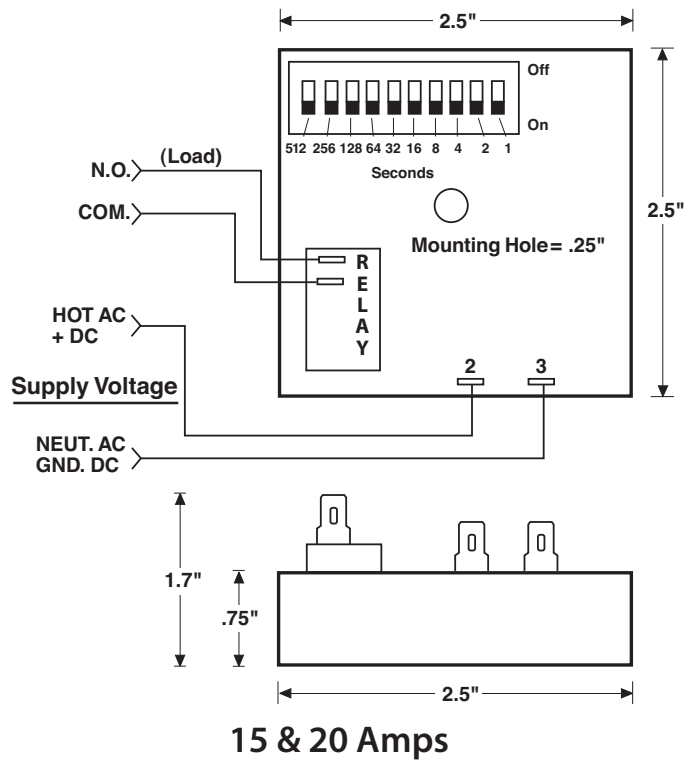
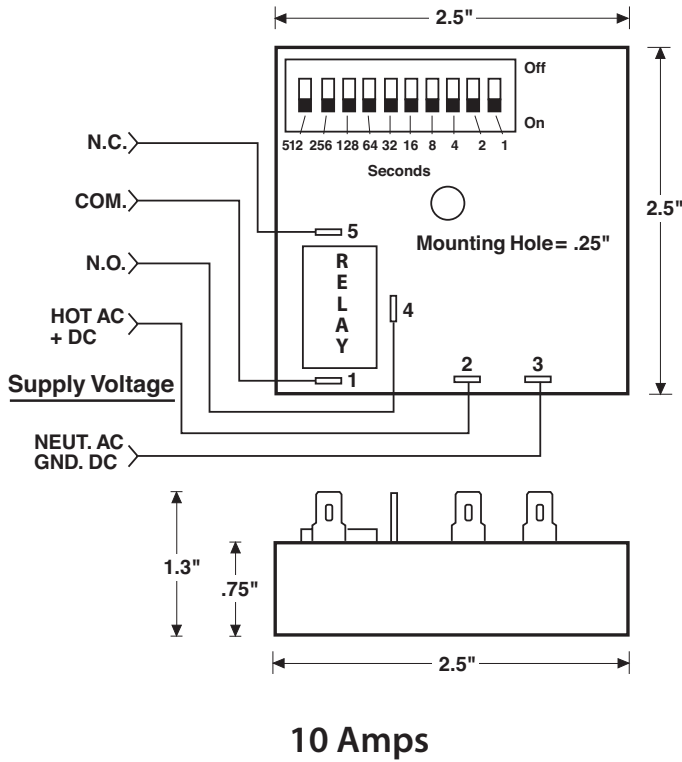
Application of input voltage to the timer starts the time delay.
At the end of the delay period, the load is energized.
To reset, remove the input voltage to the timer.



FEATURES

- Precise timing accuracy in three ranges:
 - 0.10 to 102.3 seconds in 0.1-second increments
 - 1 to 1023 seconds in 1-second increments
 - 10 to 10230 seconds in 10-second increments
- Easy to program with 10-position binary dipswitch
- Easy to install with one #8 screw, 1/4" quick connects
- Timer and contactor in one unit minimizes wiring
- No leakage in N.O. position
- No heat sinking required
- 100% Load isolation
- Transient and polarity protected
- No minimum load required
- Totally encapsulated for protection from harsh environments
- 0.5% Repeat accuracy
- 100% Operational testing before shipping
-  RoHS compliant

BASIC WIRING AND DIMENSIONS



SPECIFICATIONS

Input Voltage: +20% / -10%

VDC: 12 or 24
 VAC: 24, 120, 230, 50/60Hz

Time Delay:

Timing Mode: Delay on Make
 Type: Digital CMOS
 Time Range: 0.1 to 102.3 seconds
 1.0 to 1023 seconds
 10 to 10230 seconds

Repeatability: ±0.5%

Setting Accuracy: ±5% or 50 milliseconds, whichever is greater

Reset Time: 50 milliseconds

Relay Life Expectancy:

Mechanical: Up to 10 million operations
 Electrical: 100,000 operations at max. load

Protection:

Polarity Protection: All DC units have reverse polarity protection
 Transient Protection: 18 joules
 Dielectric Strength: 1800V RMS 60Hz

Temperature Ranges:

Storage: -40°C to +85°C
 Operating: -25°C to +65°C

Time Adjustment:

To set a time period, simply add up the switches in the on position for the total delay in seconds

OPTIONS SELECTION

072816

Mode of Operation	Series	Input Voltage	Time Ranges	Time Adjustment Method	Relay Output Form	Options	
Delay On Make	TGC	1 120 VAC	102S3 0.1 to 102.3 seconds	E Dipswitch	*1 SPDT	H 10 Amps	
		2 230 VAC					1023 1 to 1023 seconds
		3 24 VAC	10230 10 to 10230 seconds				
		4 24 VDC					
		7 12 VDC	*3 SPST (N.c.)				J 20 Amps (1.5 HP)
*10 Amps only							

Specifications subject to change without notice.