

Timing Mode: **DELAY ON MAKE / DELAY ON BREAK**

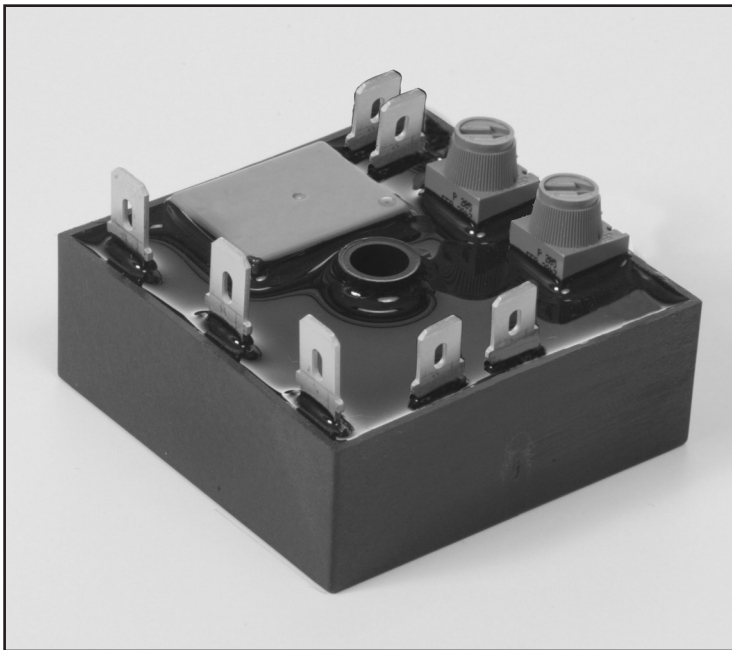
Category: **TIMER WITH RELAY**

Series: **TGCM / TGCML**



## CUBE RELAY, DUAL FUNCTION, ON DELAY / OFF DELAY

PELCO COMPONENT TECHNOLOGIES • 855 227 3526



### TGCM / TGCML Timers

TGCM / TGCML series Cube Relay timers offer a timing mode combination of Delay on Make followed by Delay on Break. This function is also known as the "On Delay / Off Delay" timer.

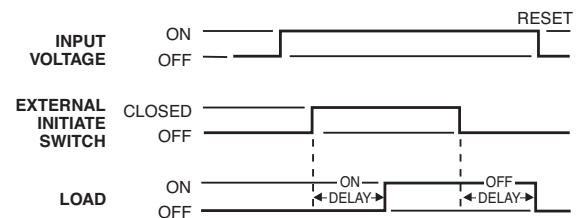
Both time periods are offered with either fixed or adjustable times and both time periods can be offered with a separate time range.

### Timing Mode

Apply supply voltage. Turn on initiate switch after the on delay expires, and the load will energize.

Upon release of the initiate switch, the off delay begins.

If the switch remains open for the total time, the load will de-energize.



## FEATURES

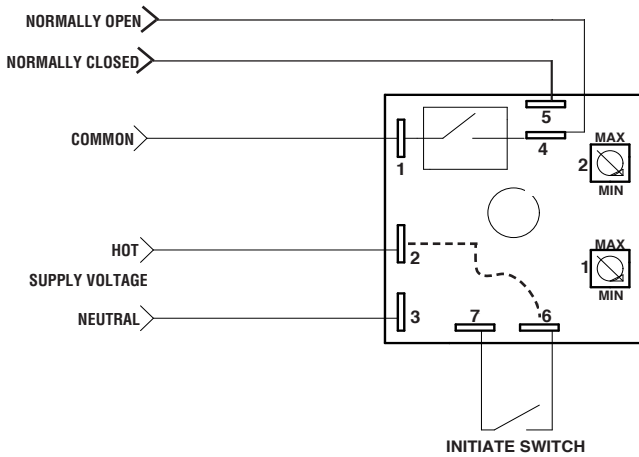
- High current-carrying capacity up to 20 amps
- Transient protected
- 100% Load isolation
- No leakage in N.O. position
- No heat sinking required
- Available in any time delay period required

- Digital CMOS timing
- No minimum load required
- Totally encapsulated for protection from harsh environments
- 100% Operational testing before shipping

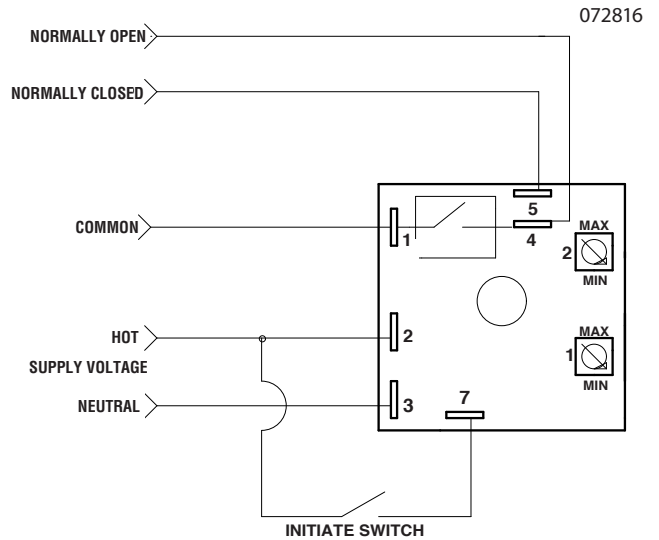


- RoHS compliant

## BASIC WIRING AND DIMENSIONS



**2.5" Square Package-TGCM**



**2.5" Square Package-TGCML**

## SPECIFICATIONS

**Input Voltage:**

VDC: 12, 24 or 48  
 VAC: 24, 48, 120 or 230, 50/60Hz  
 Special AC or DC voltages available

**Time Delay:**

Timing Mode: On Delay / Off Delay  
 Type: Cube Relay  
 Time Range: 0.1 second to 24 hours  
 Time Adjustments: Fixed; pots; ext adjustments

**Repeatability:** ±0.5%

**Setting Accuracy:** Fixed time period: ±10% of nominal time

Variable time range:  
 +15% -5% max. time, -10% min. time

**Reset/Recycle Time:** 25 milliseconds

**Initiate Time:** 6 milliseconds or less

**Relay Output Form:** Standard: SPST N.O.

Optional: SPST N.C., SPDT

**Relay Life Expectancy:**

Mechanical: 20 million operations  
 Electrical: 100,000 operations

**Protection:**

Polarity Protection: All DC units have reverse polarity protection  
 Transient Protection: 18 joules  
 Dielectric Strength: 1800V RMS 60Hz

**Temperature Ranges:**

Storage: -40°C to +85°C  
 Operating: -25°C to +65°C

**Physical Data:**

Mounting: Surface with one #8 screw  
 Connection & Termination: 0.25" quick connects

## OPTIONS SELECTION

Mode of Operation	Series	Input Voltage	Examples of Time Ranges	Time Adjustment Method	Relay Output Form	Options
On Delay / Off Delay	TGCM TGCML	1 120 VAC	<b>VARIABLE TIME PERIODS</b> 0001 0.1 to 1 sec. 0010 .2 to 10 sec. 0100 2 to 100 sec. 1000 20 to 1000 sec. Any range up to 24 hours available. <b>FIXED TIME PERIODS</b> Specify time in full seconds or hours followed by the letter "S" or "H" and the decimal amount of the main time unit. Examples: 5S5 is 5.5 secs 5H5 is 5.5 hours	<b>A</b> Variable, integral, knob on timer. <b>B</b> Variable, external knob remote. <b>C</b> Fixed, internal, factory set. <b>D</b> Fixed, external, resistor remote.	*1 SPDT  2 SPST (N.O.)  *3 SPST (N.C.)	<b>H</b> 10 Amps  <b>JN</b> 15 Amps (1.0 HP)  <b>J</b> 20 Amps (1.5 HP)
		2 230 VAC 3 24 VAC 4 24-28 VDC 5 48 VAC 6 48 VDC 7 12 VDC 8 Any in between AC voltage (specify) 9 Any in between DC voltage (specify)				
*10 Amps only						

**EXAMPLE** | TGCM | 1 | 0010/0010 | AA | 2 | H | TGCM, 120 VAC, 10 second On Delay, 10 second Off Delay, both adjustable, SPST, 10 Amps

*Specifications subject to change without notice.*