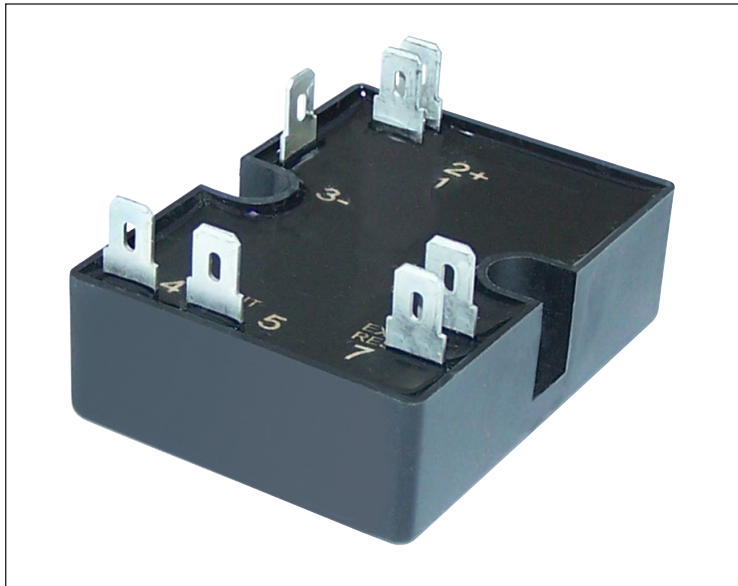


Timing Mode: **DELAY ON BREAK**  
 Category: **TIMER SOLID STATE, 10 AMPS**  
 Series: **TH3XM** Dry Initiate switch

## SOLID STATE TIMER, HIGH POWER

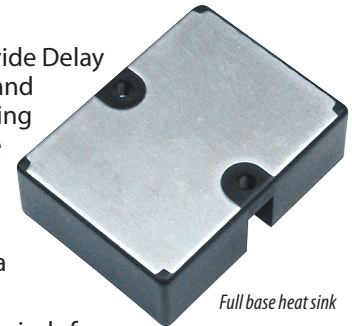


"Dry" Initiate with terminals for external pot or resistor shown.

### TH3XM Timers

TH3XM series solid state timers deliver reliable performance in high power applications, with a heat sink that spans the entire base of the unit.

TH3XM timers provide Delay on Break function and offer four time setting options: adjustable via integral or external pot, factory fixed internal, or fixed via external resistor.



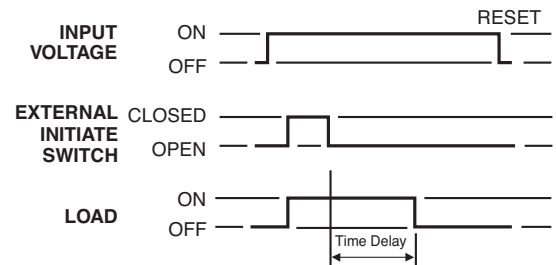
Set variable time periods from 0.1 second up to 1000 seconds, for any range up to 24 hours. Specify fixed time periods in full seconds or hours.

### Delay on Break


Input voltage is applied continuously. Upon closure of the normally open isolated external switch, the load is energized, and remains energized as long as it is closed.

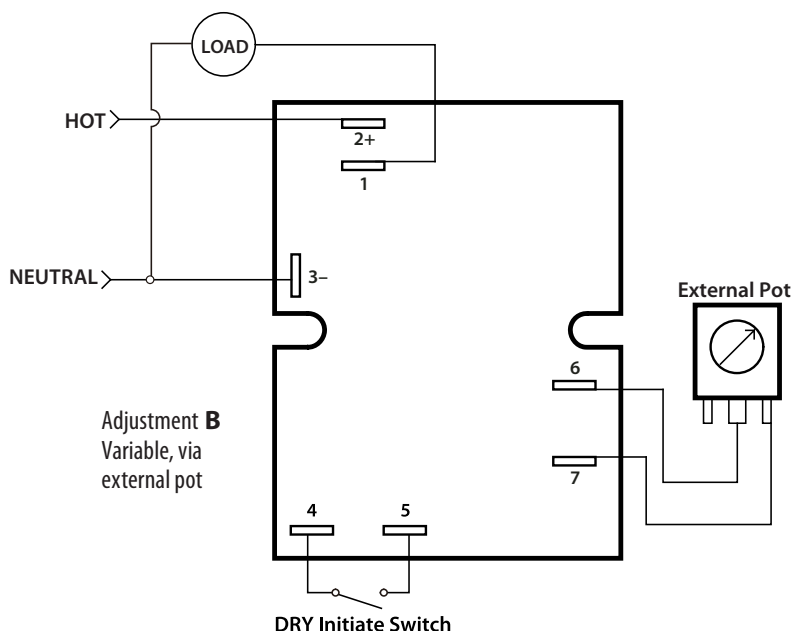
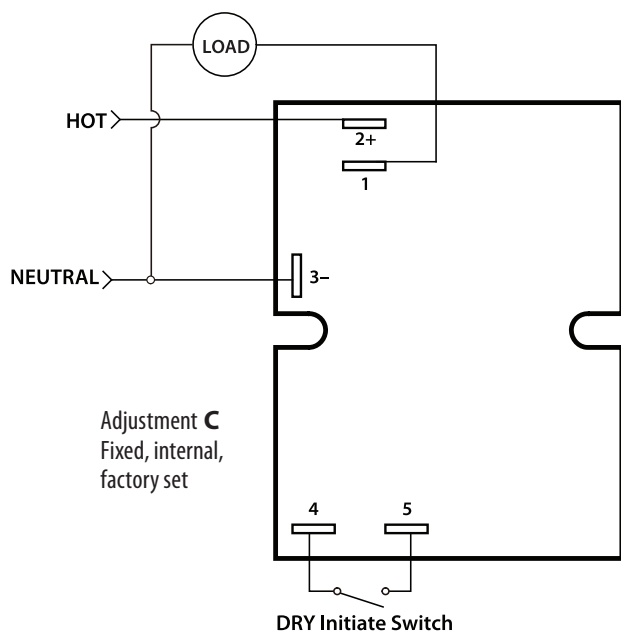
When the external initiate switch opens, the time delay is started.

At the end of the time delay, the load is de-energized, and the timer is ready for another cycle.



## FEATURES

- Digital timing, solid state output
- 10 Amp continuous current handling
- 60 Amp AC single-cycle surge handling
- Factory fixed, variable or external timing adjustment
- $\pm 0.1\%$  Repeat accuracy
- Surface mount with two #8 or #10 screws
- Standard .25" QC terminals
- Totally encapsulated for protection from harsh environments
- 100% operational testing
-  RoHS compliant



SPECIFICATIONS

**Input Voltage:** 24, 120 or 230VAC±20%; , 50 / 60Hz,  
**Time delay:** Adjustable from 0.1 second to 24 hours  
 1 sec., 10 sec., 100 sec., 1000 sec are standard  
*Special ranges available on request*  
**Repeatability:** ±0.5% under fixed conditions  
**Time delay accuracy:** ±10% typical  
**Reset / Recycle Time:** 150 milliseconds maximum  
**Initiate Time:** 16 milliseconds  
**Solid State Output Form:** 10 Amps steady state,  
 60 Amps inrush, 100 milliAmps minimum load

**Life Expectancy** No predictable failure if used within  
 operating parameters  
**Protection:** *Transient Protection:* 18 joules (MOV)  
*Dielectric Strength:* 1800VAC RMS  
**Temperature Ranges:** *Storage:* -40°C to +85°C  
*Operating:* -25°C to +65°C  
**Physical Data:** 2" x 2.7" case with heat sink,  
 Surface mount with two #8 or #10 screws,  
 0.25" QC terminals for input and output

OPTIONS SELECTION

Mode of Operation	Series	Input Voltage	Examples of Time Ranges	Time Adjustment Method	Options
Delay On Break "DRY" Initiate	TH3XM 10 Amps	<b>1</b> 120VAC 50/60 Hz <b>2</b> 230VAC 50/60 Hz <b>3</b> 24VAC 50/60 Hz	<b>VARIABLE TIME PERIODS</b> <b>0001</b> 0.1 to 1 sec. <b>0010</b> 0.1 to 10 sec. <b>0100</b> 1 to 100 sec. <b>1000</b> 10 to 1000 sec. Any range up to 24 hours is available	<b>A</b> Variable, via integral pot <b>B</b> Variable, via external pot <b>C</b> Fixed, internal, factory set <b>D</b> Fixed, via external resistor	<b>S</b> Special
			<b>FIXED TIME PERIODS</b> Specify time in full seconds (S) or hours (H) <b>Examples</b> 400S is 400 seconds 05H5 is 5.5 hours		