

Timing Mode: **DELAY ON BREAK**
 Category: **TIMER SOLID STATE, 10 AMPS**
 Series: **TH3XML** Hot Initiate Switch



PELCO COMPONENT TECHNOLOGIES • 855 227 3526

SOLID STATE TIMER, HIGH POWER

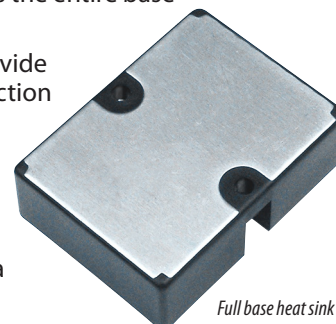


"Hot" Initiate with Integral Pot shown.

TH3XML Timers

TH3XML series solid state timers deliver reliable performance in high power applications, with a heat sink that spans the entire base of the unit.

TH3XML timers provide Delay on Break function and offer four time setting options: adjustable via integral or external pot, factory fixed internal, or fixed via external resistor.



Full base heat sink

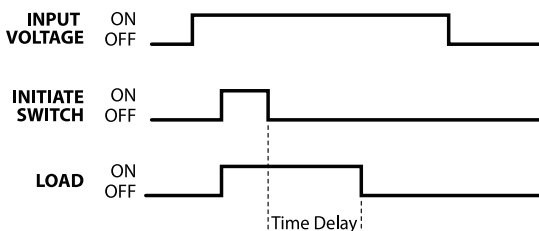
Set variable time periods from 0.1 second up to 1000 seconds, for any range up to 24 hours. Specify fixed time periods in full seconds or hours.

Delay on Break


Input voltage is applied continuously. Upon closure of the initiate switch the load is energized and remains energized as long as the switch is closed.

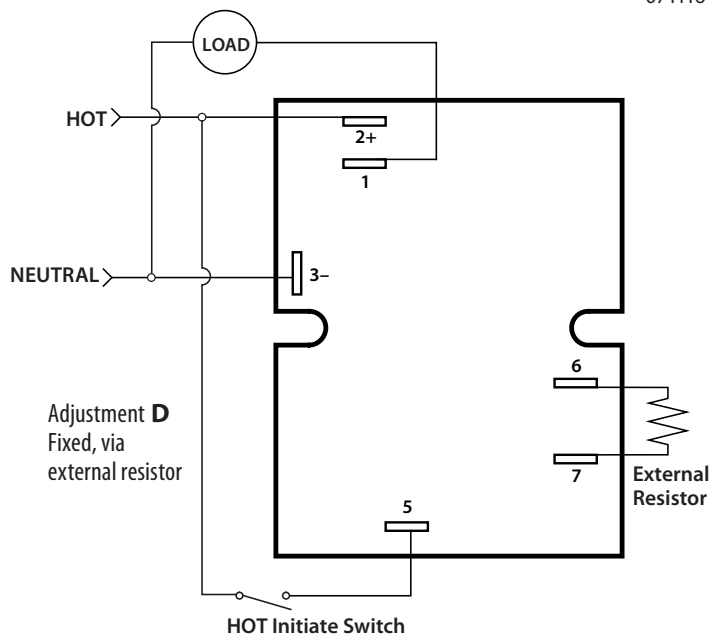
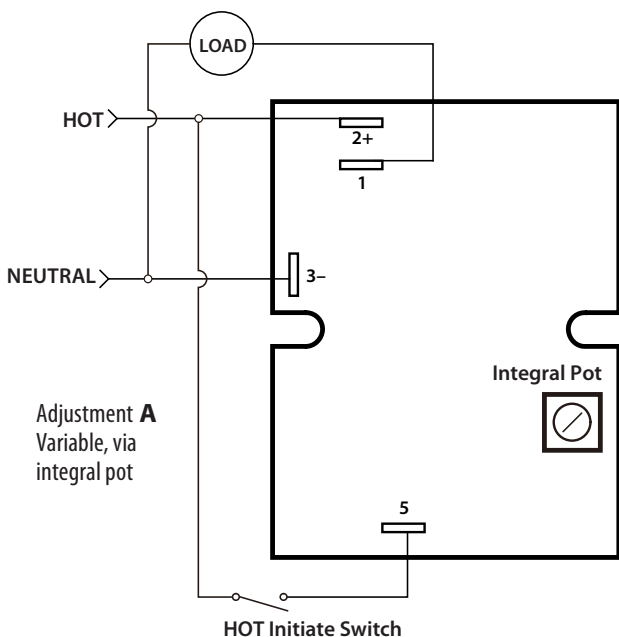
When the initiate switch opens, the load remains energized and the time delay is started.

At the end of the time delay the load is de-energized and the timer is ready for another cycle.



FEATURES

- Digital timing, solid state output
- 10 Amp continuous current handling
- 60 Amp AC single-cycle surge handling
- Factory fixed, variable or external timing adjustment
- ±0.1% Repeat accuracy
- Surface mount with two #8 or #10 screws
- Standard .25" QC terminals
- Totally encapsulated for protection from harsh environments
- 100% operational testing
-  RoHS compliant



SPECIFICATIONS

Input Voltage: 24, 120 or 230VAC±20%; , 50 / 60Hz,
Time delay: Adjustable from 0.1 second to 24 hours
 1 sec., 10 sec., 100 sec., 1000 sec are standard
Special ranges available on request
Repeatability: ±0.5% under fixed conditions
Time delay accuracy: ±10% typical
Reset / Recycle Time: 150 milliseconds maximum
Initiate Time: 16 milliseconds
Solid State Output Form: 10 Amps steady state,
 60 Amps inrush, 100 milliAmps minimum load

Life Expectancy No predictable failure if used within
 operating parameters
Protection: *Transient Protection:* 18 joules (MOV)
Dielectric Strength: 1800VAC RMS
Temperature Ranges: *Storage:* -40°C to +85°C
Operating: -25°C to +65°C
Physical Data: 2" x 2.7" case with heat sink,
 Surface mount with two #8 or #10 screws,
 0.25" QC terminals for input and output

OPTIONS SELECTION

| Mode of Operation | Series | Input Voltage | Examples of Time Ranges | Time Adjustment Method | Options |
|----------------------------------|-------------------|---|--|--|------------------|
| Delay On Break "HOT" Initiate | TH3XML 10 Amps | 1 120VAC 50/60 Hz 2 230VAC 50/60 Hz 3 24VAC 50/60 Hz | VARIABLE TIME PERIODS 0001 0.1 to 1 sec. 0010 0.1 to 10 sec. 0100 1 to 100 sec. 1000 10 to 1000 sec. Any range up to 24 hours is available | A Variable, via integral pot B Variable, via external pot C Fixed, internal, factory set D Fixed, via external resistor | S Special |
| | | | FIXED TIME PERIODS Specify time in full seconds (S) or hours (H) Examples 400S is 400 seconds 05H5 is 5.5 hours | | |