

Timing Mode: **DELAY ON MAKE**
 Category: **TIMER WITH RELAY**
 Series: **TQCIC**



PLUG-IN, IC DIGITAL, INSTANTANEOUS CONTACT PELCO COMPONENT TECHNOLOGIES • 855 227 3526



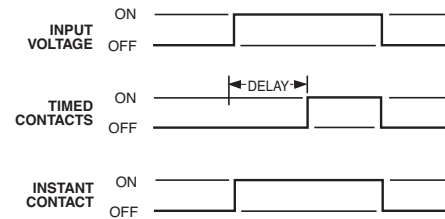
TQCIC Timers

The TQCIC Delay On Make meets the needs of customers who require IC digital timing circuits with magnal bases for plug-in installation. The units are available with a 10 amp DPDT timed relay with fixed or adjustable time periods, and a 10 amp SPDT relay with instantaneous contact.

Timing Mode

Application of input voltage to the timer starts the time delay. At the end of the delay period, the load is energized.

To reset, remove the input voltage to the timer.



FEATURES

- CMOS Integrated Circuit digital timing
- Timing contacts and instantaneous contacts in same timer
- Relays are sealed
- Proven circuitry
- Standard magnal (11 pin) plug-ins
- Fixed or variable time adjustment
- Optional remote time adjustment
- Timing ranges from 0.1 to 3600 seconds standard (special time settings and ranges up to 72 hours also available)
- 0.1% Repeat accuracy
- 100% Operational testing before shipping
-

072816

SPECIFICATIONS

Input Voltages: VAC: 24, 120, 230, 50/60Hz
 VDC: 24

Operating Voltage: ±20% of nameplate voltage

Relay Contact Ratings: 10 amp

Repeat Accuracy: ±0.1% under fixed operating conditions

Reset Time: 50 milliseconds

Tolerances: Fixed: ±10%, Optional: ±5%, ±1%
 Variable: +20%, -0%, Optional: +10%, -0%

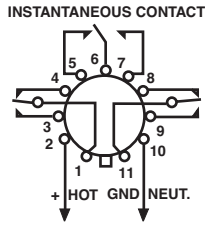
Life Expectancy:
Mechanical: 1 million operations
Electrical: Up to 100,000 operations at full current load

Protection:
Polarity Protection: All DC units have reverse polarity protection
Transient Protection: 25 joules

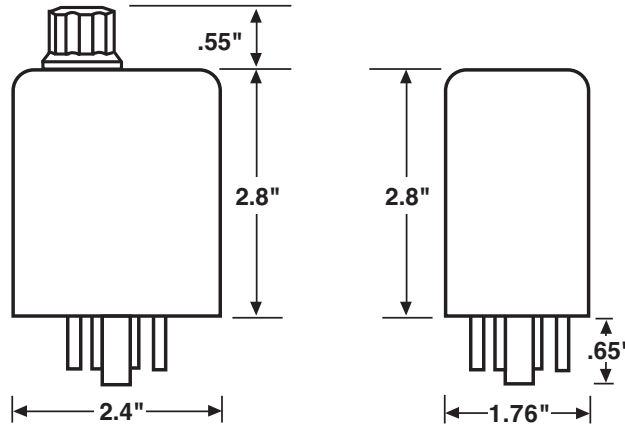
Temperature Ranges:
Storage: -40°C to +85°C
Operating: -25°C to +65°C

Housing Material: High-impact, UL-approved black Lexan

BASIC WIRING AND DIMENSIONS



OPTIONAL KNOB



11 PIN PLUG-IN BASE

OPTIONS SELECTION

072816

Mode of Operation	Series	Input Voltage	Examples of Time Ranges	Tolerance	Time Adjust. Method	Base Style
Delay On Make (Instantaneous Contact)	TQCIC	1 120 VAC	VARIABLE TIME PERIODS		X Standard (Fixed: ±10% Variable: +20% -0%) E Optional (Fixed, ±5%) F Optional (Fixed, ±1%) G Optional (Adjust.: +10%, -0%)	A Variable knob on timer B Variable with external potentiometer AOT supplied C Factory-fixed time D Fixed time with customer supplied resistor
		2 230 VAC	0010 .1 to 10 sec.	2 11 Pin Plug-In Base		
		3 24 VAC	0100 1 to 100 sec.			
		4 24 VDC	0300 5 to 300 sec. 0600 60 to 600 sec. 1800 180 to 1800 sec. 3600 360 to 3600 sec.			
Any range up to 72 hours available on special order. FIXED TIME PERIODS Specify time in full seconds or hours followed by the letter "S" or "H" and the decimal amount of the main time unit. Examples: 5S5 is 5.5 secs 5H5 is 5.5 hours						

EXAMPLE **TQCIC** **3** **0010** **X** **A** **2** **H**

This is a "TQCIC" series timer, Delay on Make with instantaneous contact, 24 volt AC, 10 second variable time period (standard tolerance), with adjustment knob on timer, 11 pin magnal base, 10 amp relay.
Specifications subject to change without notice.